

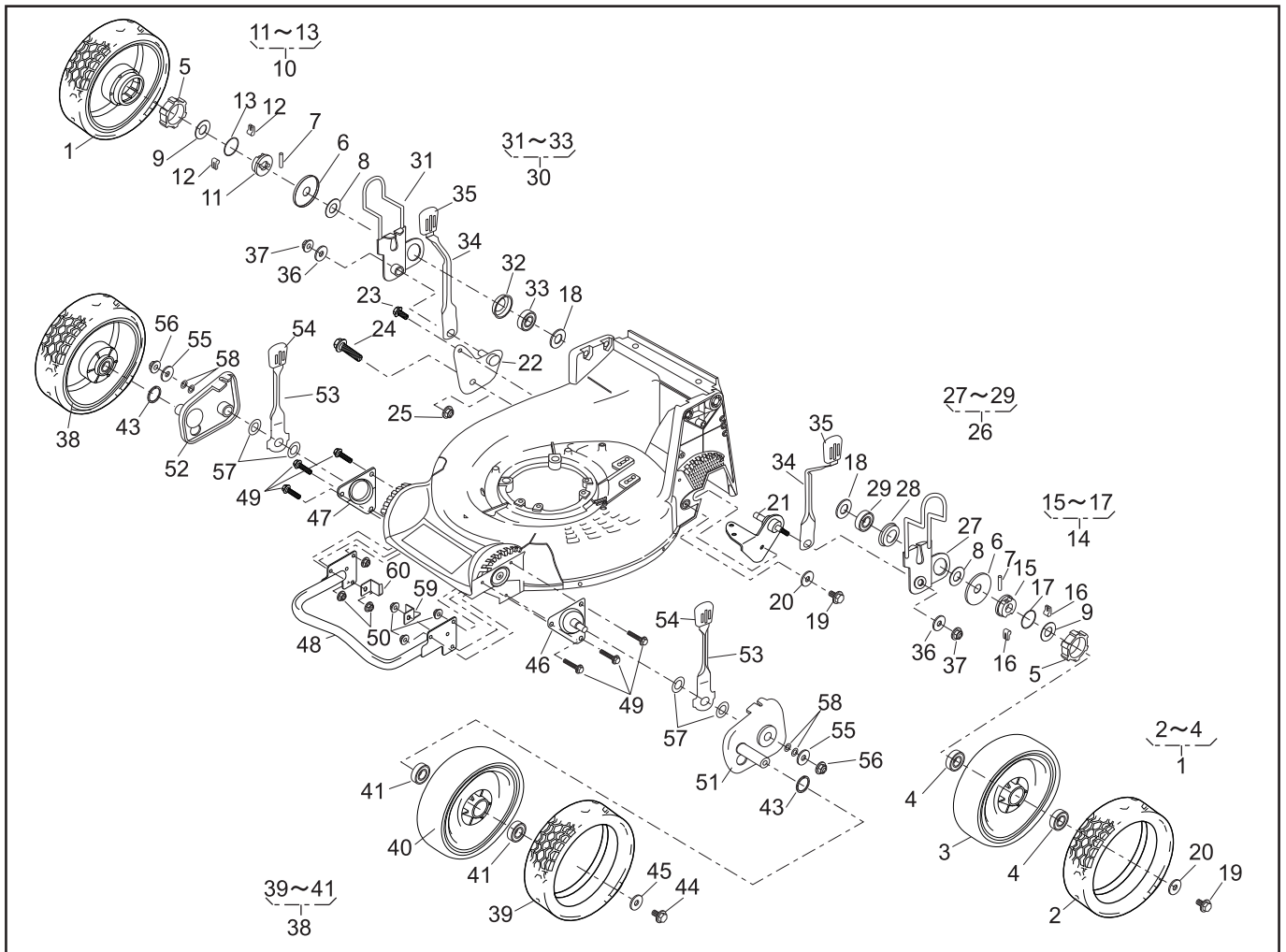


TOSAERBA SARP

SLM-5360HXA-HST-PRO 2^a serie

Dalla matricola 5210001 (marzo 2007)

ESPLOSO RICAMBI

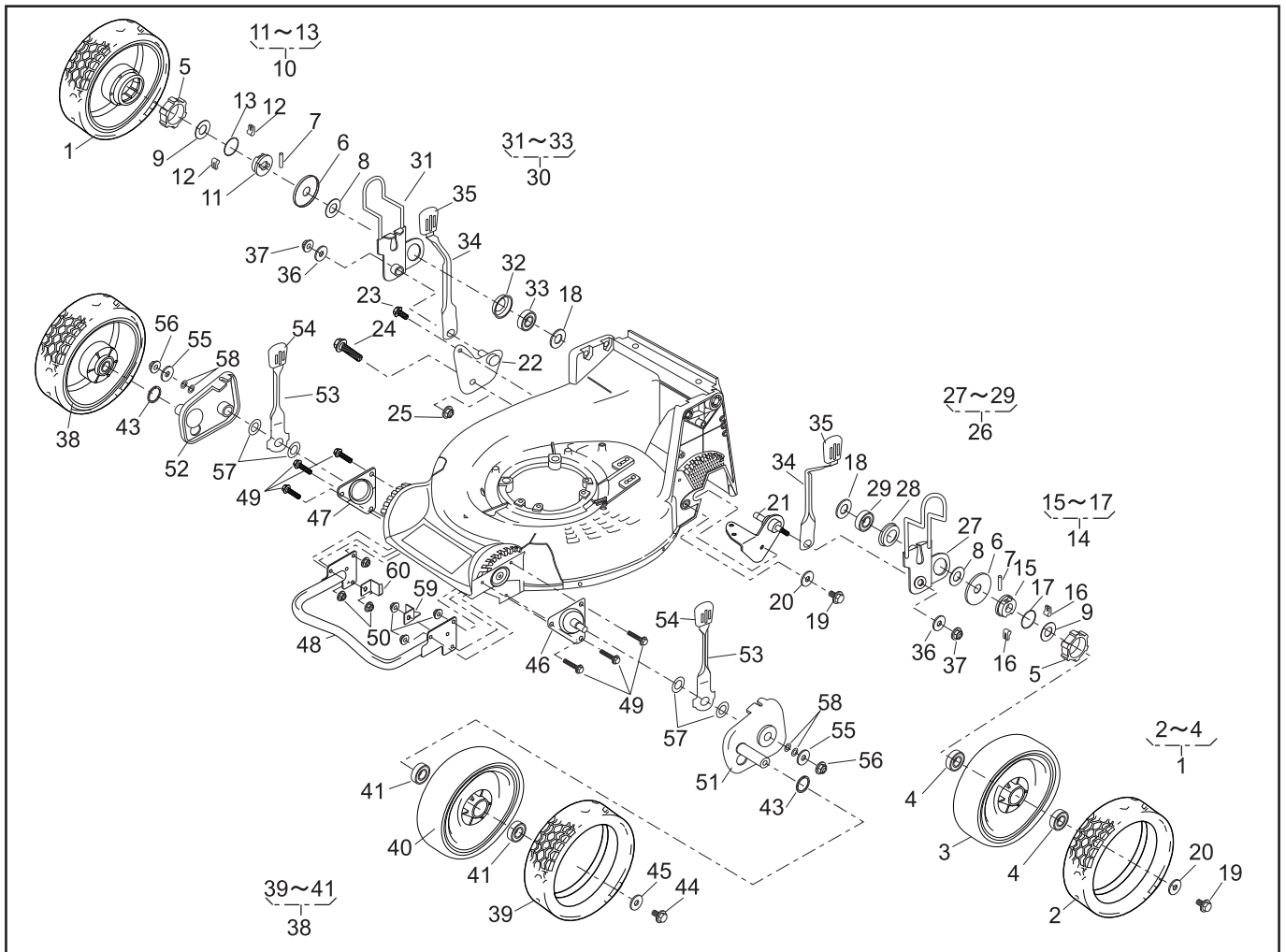


PARTS LIST

P/L No. 46014-507-00

NOTE

REF. No.	PARTS No.	PARTS NAME	9.6"AI-WHEEL-HST-PRO			1/2		Dec. 25, 2006	
			Q'TY	PRICE()	RECOMM.(%)	REMARKS			
			INCLUDING		Lot.100				
1	71041 144	WHEEL ASS'Y(9.6"A.W.)	2						
2	91086 116	TIRE	2						
3		WHEEL	2						
4	916B 6002	BEARING	4						
5	11086 119	STOPPER	2						
6	61003 112	THRUST PLATE	2						
7	31034 137	PIN	2						
8	68036 270	WASHER	2						
9	68036 146	WASHER	2						
10	71158 101	RATCHET ASS'Y(R)	1						
11	11102 138	HOLDER	1						
12	31034 170	PIN	2						
13	68013 266	SPRING	1						
14	71158 102	RATCHET ASS'Y(L)	1						
15	11102 138	HOLDER	1						
16	31034 170	PIN	2						
17	68013 266	SPRING	1						
18	68036 275	WASHER	2						
19	31057 181	HEXAGON BOLT	3						
20	68036 101	WASHER	3						
21	11006 162	STAY C.P.(HST)	1						
22	11006 152	STAY C.P.(RR)	1						
23	342L 0612	FLANGE TAPPING BOLT	1						
24	31057 255	HEXAGON BOLT	1						
25	584L 0800	U-FLANGE NUT	1						
26	71122 110	ADJUSTER ASS'Y(L)	1						
27	11142 125	ADJUSTER(RL)	1						
28	11102 228	HOLDER	1						
29	916B 6202	BEARING	1						
30	71122 111	ADJUSTER ASS'Y(R)	1						

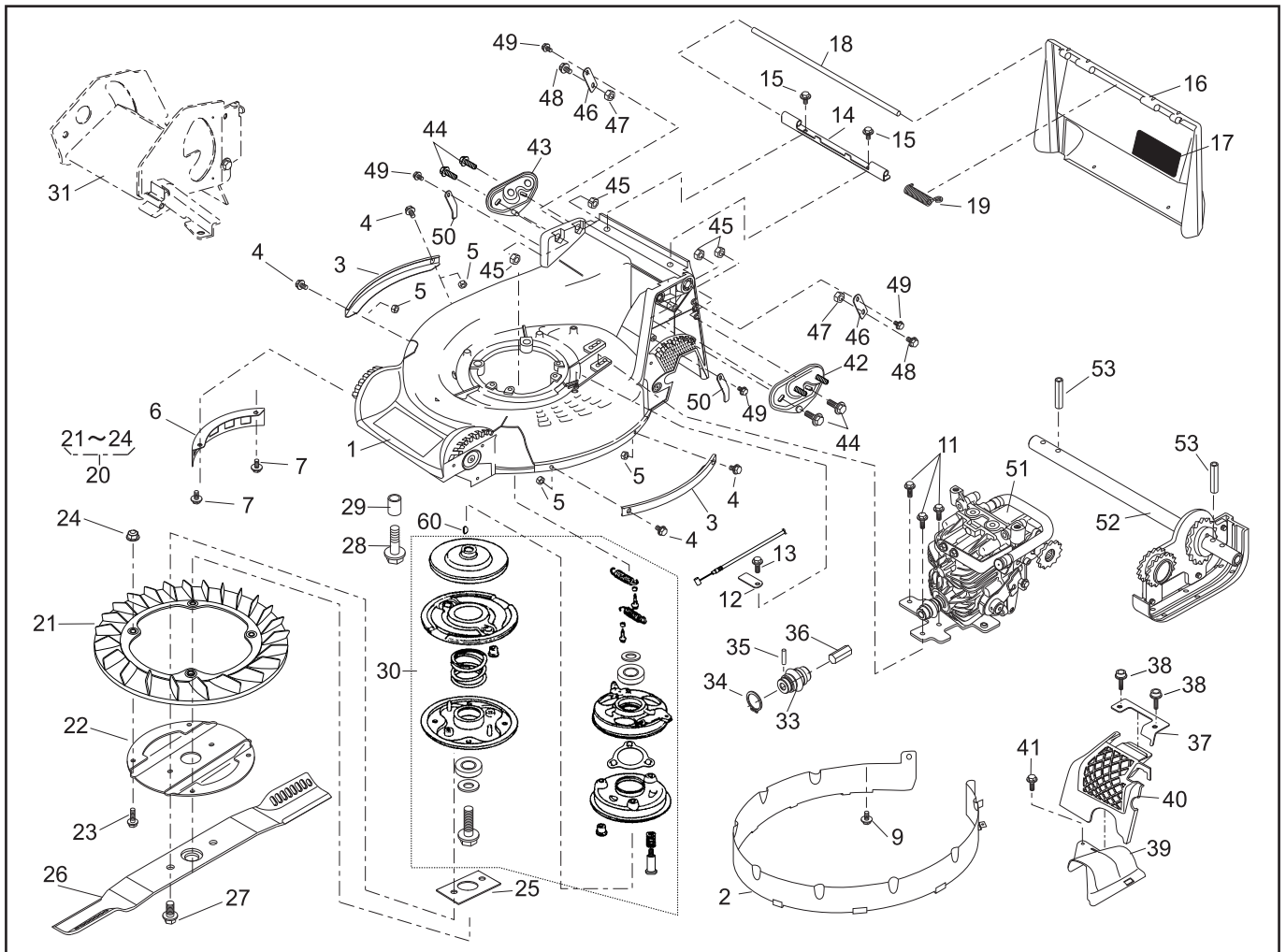


PARTS LIST

P/L No. 46014-507-00

NOTE

REF. No.	PARTS No.	PARTS NAME	9.6"AI-WHEEL-HST-PRO		PRICE()	2/2		REMARKS
			Q'TY	INCLUDING		RECOMM.(%)	Lot.100	
31	11142 126	ADJUSTER(RR)	1					
32	11102 228	HOLDER	1					
33	916B 6202	BEARING	1					
34	11150 105 09	ADJUST LEVER	2					
35	36061 121	KNOB	2					
36	613L 0800	PLAIN WASHER	2					
37	569L 0800	FLANGE NYLON NUT	2					
38	71041 145	WHEEL ASS'Y(9.6"A.W.)	2					
39	91086 116	TIRE	2					
40		WHEEL	2					
41	916B 6002	BEARING	4					
42								
43	51113 119	RING	2					
44	31057 181	HEXAGON BOLT	2					
45	68036 101	WASHER	2					
46	11006 153	STAY C.P.(FL)	1					
47	11006 154	STAY C.P.(FR)	1					
48	11153 112	BUMPER	1					
49	335L 0625	FLANGE BOLT	6					
50	569L 0600	FLANGE NYLON NUT	6					
51	11142 127	ADJUSTER(FL)	1					
52	11142 128	ADJUSTER(FR)	1					
53	11150 109 09	ADJUST LEVER	2					
54	36061 121	KNOB	2					
55	68036 101	WASHER	2					
56	584L 0800	U-FLANGE NUT	2					
57	68013 393	SPRING	4					
58	68007 105	SHIM	0~4					
59	11113 418	STAY(L)	1					
60	11113 417	STAY(R)	1					

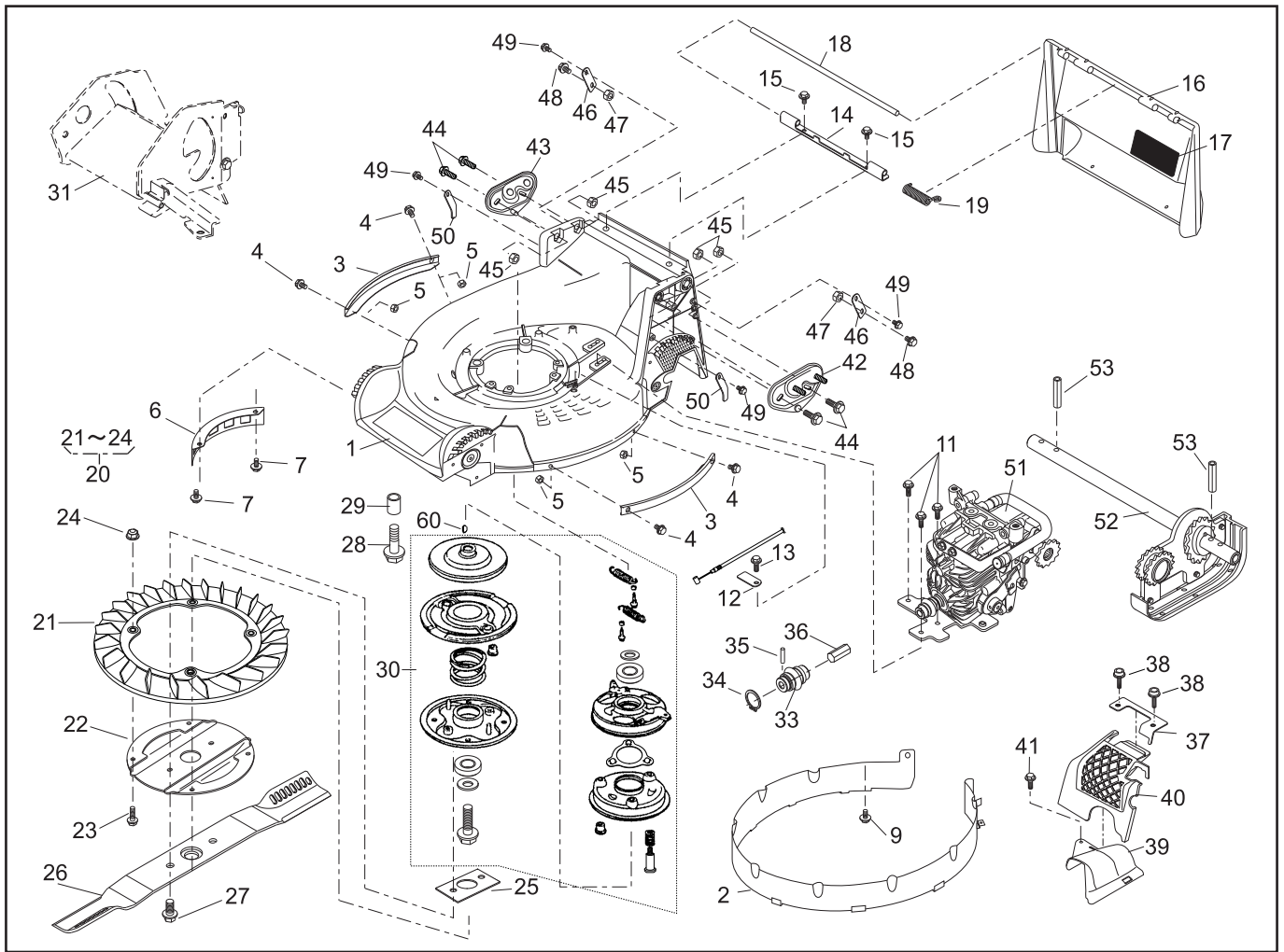


PARTS LIST

P/L No. 46014-542-00

NOTE

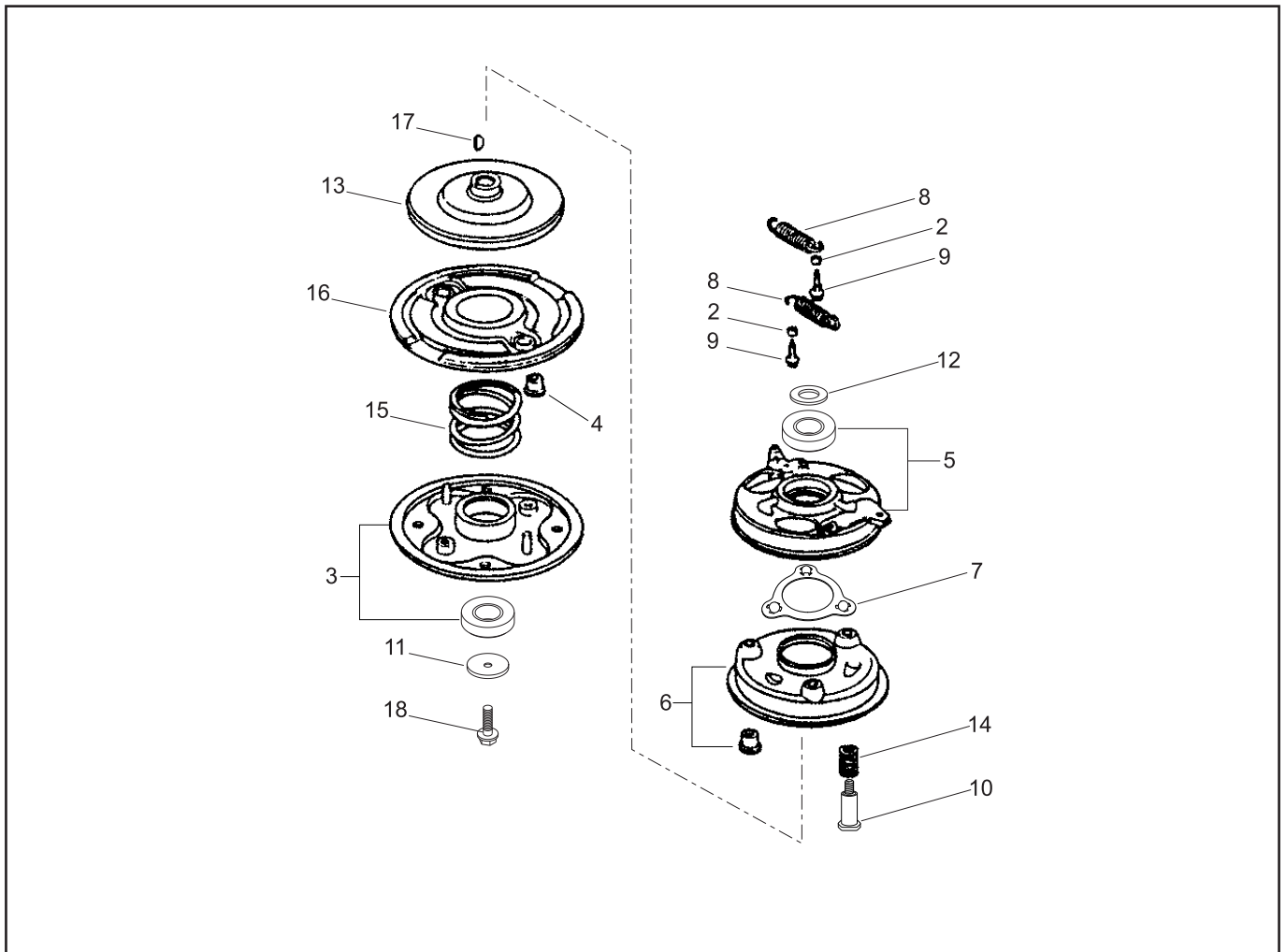
REF. No.	PARTS No.	PARTS NAME	GRASS-CUTTING-HST-PRO			1/2	Dec. 25, 2006
			Q'TY INCLUDING	PRICE()	RECOMM.(%) Lot.100	REMARKS	
1	51043 151 42	HOUSING	1				
2	36068 204	GUARD	1				
3	51090 117 09	PROTECTOR	2				
4	335L 0616	FLANGE BOLT	4				
5	512L 0600	HEXAGON NUT	4				
6	36065 180	COVER	1				
7	342L 0612	FLANGE TAPPING BOLT	2				
8							
9	342L 0612	FLANGE TAPPING BOLT	1				
10							
11	342L 0612	FLANGE TAPPING BOLT	3				
12	11113 407	STAY	1				
13	342L 0612	FLANGE TAPPING BOLT	1				
14	11113 292	STAY	1				
15	342L 0612	FLANGE TAPPING BOLT	2				
16	36068 196 46	GUARD	1				
17	36080 149	RUBBER SHEET	1				
18	64014 324	SHAFT	1				
19	68013 336	SPRING	1				
20	71082 111	FAN ASS'Y	1				
21	51125 103	FAN	1				
22	11102 151	HOLDER	1				
23	31062 169	PRE-COAT LOCK BOLT	4				
24	579L 0600	FLANGE NUT	4				
25	61024 208	SPACER	1				
26	91014 188	BLADE	1				
27	31057 197	HEXAGON BOLT	2				
28	31057 243	HEXAGON BOLT	4				
29	61024 142	SPACER	3				
30	71067 106	BRAKE ASSY	1				



PARTS LIST

P/L No. 46014-542-00

NOTE	REF. No.	PARTS No.	PARTS NAME	GRASS-CUTTING-HST-PRO		2/2	REMARKS
				Q'TY INCLUDING	PRICE()	RECOMM.(%) Lot.100	
	31		COVER UNIT (Ref. P/L No. 46012-550-**)				
	32						
	33	91097 101	UNIVERSAL JOINT	1			
	34	812V 2000	C-SNAP RING	1			
	35	717B 0418	PARALLEL PIN	1			
	36	64014 368	SHAFT	1			
	37	11050 181	FIXING PLATE	1			
	38	423L 0820	SOCKET SCREW FLANGE	2			
	39	36065 453	COVER	1			
	40	36065 454	COVER	1			
	41	342L 0616	FLANGE TAPPING BOLT	1			
	42	51116 149	HANDLE BRACKET(L)	1			
	43	51116 150	HANDLE BRACKET(R)	1			
	44	31057 255	HEXAGON BOLT	4			
	45	512L 0800	HEXAGON NUT	4			
	46	11113 408	STAY	2			
	47	512L 0800	HEXAGON NUT	2			
	48	31057 181	HEXAGON BOLT	2			
	49	342L 0612	FLANGE TAPPING BOLT	4			
	50	11113 415	SATY	2			
	51		HST UNIT (Ref. P/L No. 46012-339-**)				
	52		SHAFT UNIT (Ref. P/L No. 46012-339-**)				
	53	711V 0522	SPRING PIN	2			
	54						
	55						
	56						
	57						
	58						
	59	122039	ENGINE:HONDA GXV160H2-SFL1-R280	1			
	60		WOOD RUFF KEY	1			

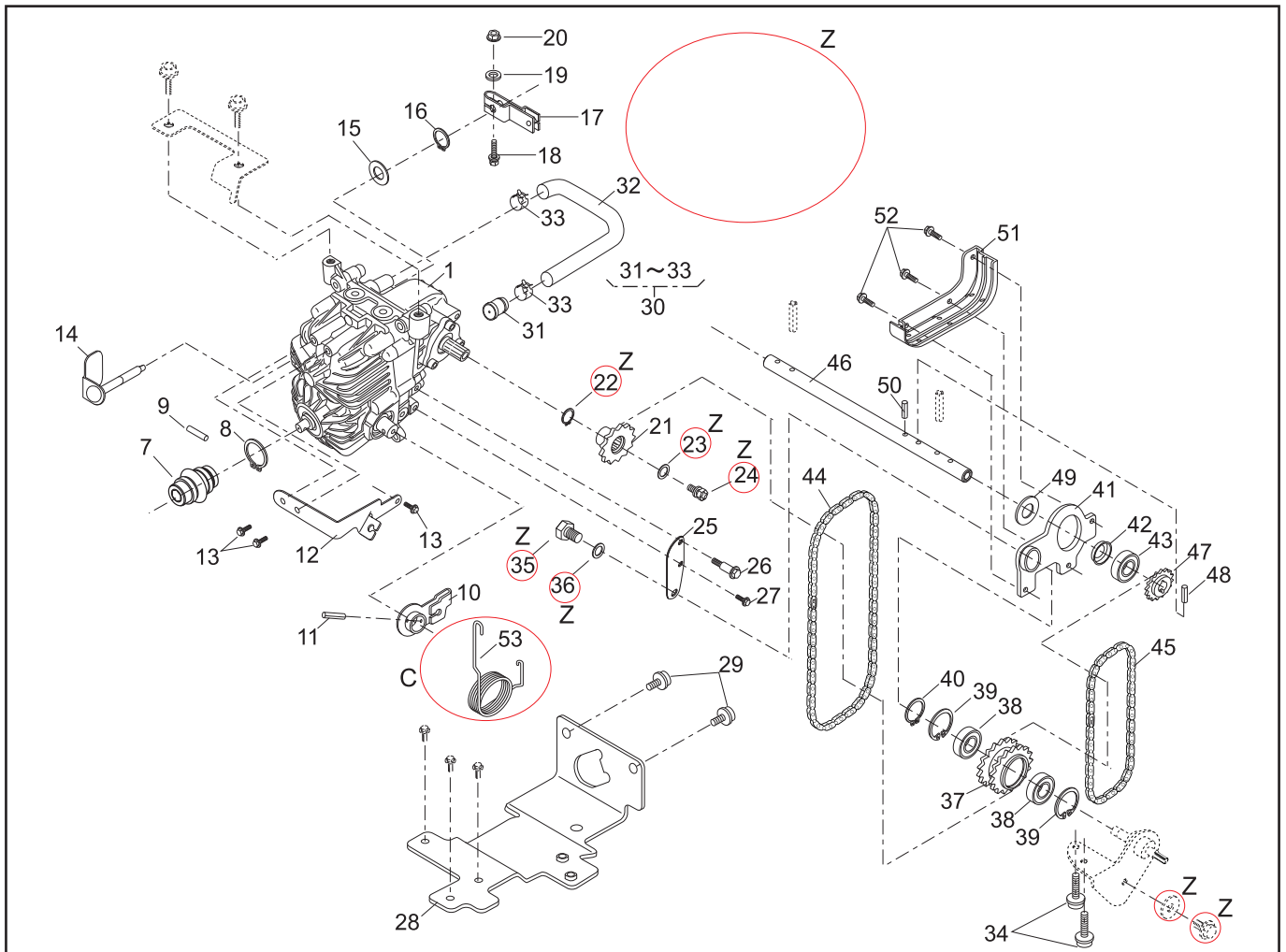


PARTS LIST

BRAKE ASSY (71067-106)

P/L No. 46014-266-02

REF. No.	PARTS No.	PARTS NAME	BBC			1/1	Feb.09,2005
			Q'TY INCLUDING	PRICE()	RECOMM.(%) Lot.100	REMARKS	
1	71067 106	BRAKE ASSY	1				
2	19512 883 000	FAN COLLAR	2				
3	72600 VA4 010	HOLDER ASSY	1				
4	72613 VA4 000	BUSH, BLADE HOLDER	2				
5	75090 VA4 030	CONTROL ASSY	1				
6	75100 VA4 010	BRAKE C.P.	1				
7	75110 VA4 000	BALL RETAINER C.P.	1				
8	75182 VA3 J00	SPRING, CLUTCH RETURN	2				
9	90014 952 000	FLANGE BOLT	2				6 x 14
10	90021 VA4 000	BOLT, SPECIAL	3				6 mm
11	90409 952 000	WASHER	1				10 mm
12	90501 952 010	THRUST WASHER	1				
13	75130 VA4 000	BRAKE DISK	1				
14	75132 VA4 000	SPRING, BRAKE HOLDER	3				
15	75183 VA3 J00	SPRING, CLUTCH	1				
16	75150 VA3 J01	DRIVEN DISK C.P.	1				
17	94401 16150	WOODRUFF KEY	1				
18	90105 960 003	BOLT (10x25)	1				
19							
20							
21							
22							
23							
24							
25							
26							
27							
28							

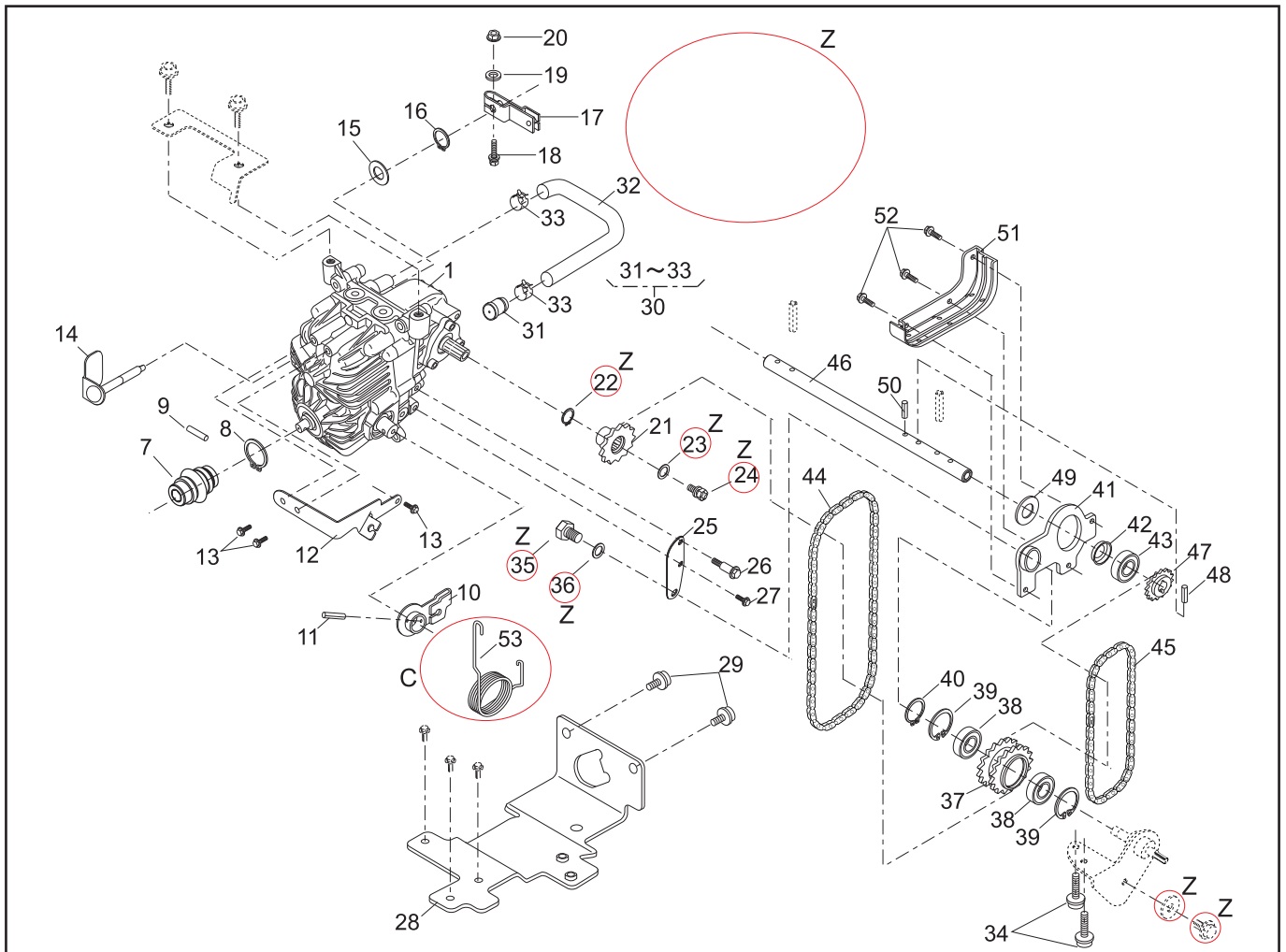


PARTS LIST HST UNIT

P/L No. 46014-339-02

NOTE

REF. No.	PARTS No.		PARTS NAME	HST			1/2	Dec. 25, 2006	REMARKS
				Q'TY	PRICE()	RECOMM.(%)			
				INCLUDING		Lot.100			
1	71900	979	HST ASS'Y	1					
7	91097	101	UNIVERSAL JOINT	1					
8	812V	2000	C-SNAP RING	1					
9	717B	0418	PARALLEL PIN	1					
10	51042	126	LEVER C.P.	1					
11	711V	0432	SPRING PIN	1					
12	51002	121	WIRE HOLDER	1					
13	335L	0612	FLANGE BOLT	3					
14	71203	139	ARM C.P.	1					
15	68036	280	WASHER	1					
16	812V	1000	C-SNAP RING	1					
17	11104	119	ARM	1					
18	320L	0525	(+)HEXAGON BOLT	1					
19	611L	0500	PLAIN WASHER	1					
20	571L	0500	FLANGE NUT	1					
21	36112	142	SPROCKET	1					
22	812V	1500	C-SNAP RING	1					
23	68036	125	WASHER	1					
24	312L	0612	HEXAGON BOLT	1					
25	11113	414	STAY	1					
26	31062	109	PRE-COAT LOCK BOLT	1					
27	335L	0612	FLANGE BOLT	1					
28	11137	131	BASE C.P.	1					

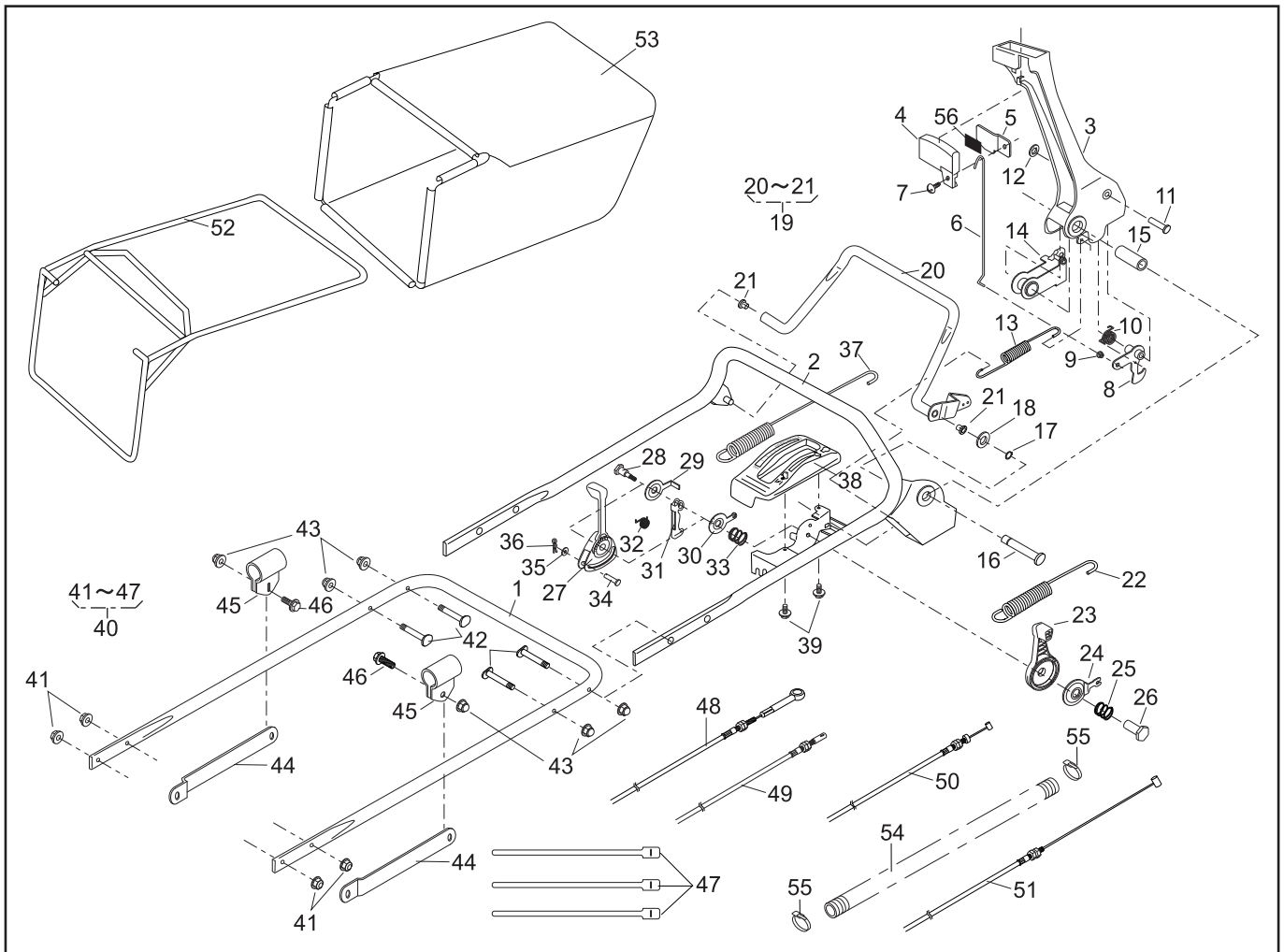


PARTS LIST HST UNIT

P/L No. 46014-339-02

NOTE

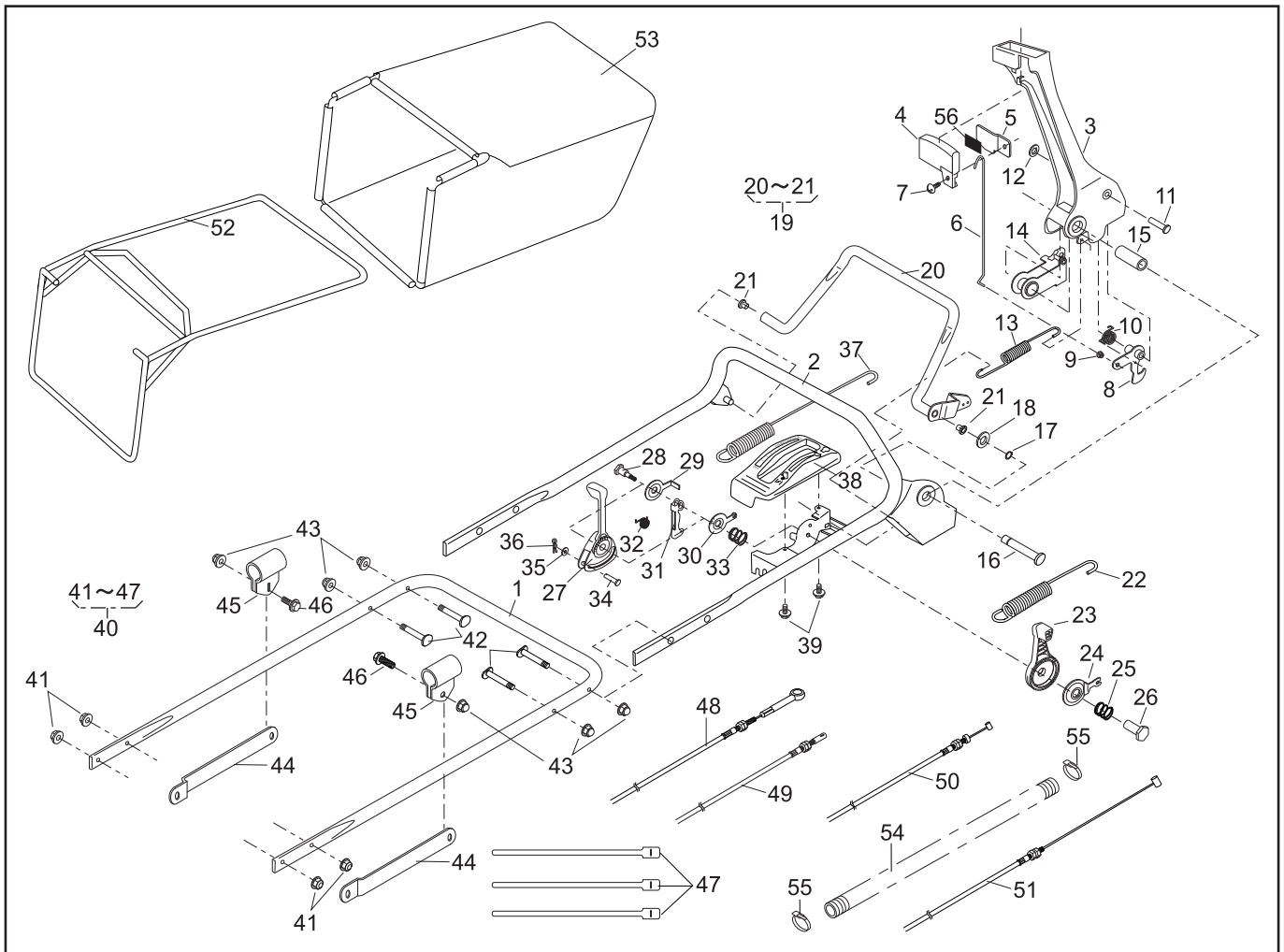
REF. No.	PARTS No.	PARTS NAME	HST			2/2	Dec. 25, 2006	REMARKS
			Q'TY	PRICE()	RECOMM.(%)			
			INCLUDING		Lot.100			
29	423U 0816	SOCKET SCREW FLANGE	2					
30	71900 980	AIR BREATHER ASS'Y	1					
31	91096 103	BREATHER	1					
32	36082 125	TUBE	1					
33	68031 144	HOSE BAND	2					
34	423U 0820	SOCKET SCREW FLANGE	2					
35	311K 0812	HEXAGON BOLT	1					
36	661L 0800	SPRING LOCK WASHER	1					
37	36112 143	SPROCKET	1					
38	916B 6002	BEARING	2					
39	811V 3200	C-SNAP RING	2					
40	812V 1500	C-SNAP RING	1					
41	11115 124	TENSION ARM	1					
42	11102 228	HOLDER	1					
43	916B 6202	BEARING	1					
44	91074 133	CHAIN	1					
45	91074 134	CHAIN	1					
46	64014 366	SHAFT	1					
47	36112 144	SPROCKET	1					
48	31034 137	PIN	1					
49	68036 275	WASHER	1					
50	711V 0522	SPRING PIN	1					
51	36068 200	GUARD	1					
52	318L 0612	(+)HEXAGON BOLT	3					
C	53	68013 390	SPRING	1				



PARTS LIST

P/L No. 46014-484-00

REF. No.	PARTS No.	PARTS NAME	HANDLE-HST-PRO			1/2		Dec. 25, 2006
			Q'TY	PRICE()	RECOMM.(%)	REMARKS		
			INCLUDING		Lot.100			
1	51027 249	HANDLE	1					
2	51027 250	HANDLE	1					
3	11095 172	LEVER(BBC)	1					
4	36110 102	BUTTON	1					
5	11049 109	SLIDE PLATE	1					
6	64014 336	SHAFT	1					
7	376L 0612	(+)TRUSS SCREW	1					
8	71203 135	ARM C.P.	1					
9	76007 183	BUSH	1					
10	68013 371	SPRING	1					
11	31056 127	GIB-HEADED PIN	1					
12	576V 0600	PUSH NUT	1					
13	68013 392	SPRING	1					
14	11109 111	LINK	1					
15	61023 190	SLEEVE	1					
16	64014 337	SHAFT	1					
17	812V 0800	C-SNAP RING	1					
18	613L 0800	PLAIN WASHER	1					
19	71161 114 09	LEVER ASS'Y	1					
20		LEVER		1				
21	76007 131	BUSH		2				
22	68013 385	SPRING	1					
23	91010 169	THROTTLE LEVER(GXV120/GXV160)	1					
24	61003 113	THRUST PLATE	1					
25	68013 356	SPRING	1					
26	31058 168	HEXAGON NUT	1					
27	11095 162	LEVER(HST)	1					
28	31057 249	HEXAGON BOLT	1					
29	61003 118	THRUST PLATE	1					
30	11049 108	SLIDE PLATE	1					



PARTS LIST

P/L No. 46014-484-00

REF. No.	PARTS No.	PARTS NAME	HANDLE-HST-PRO		2/2		REMARKS
			Q'TY INCLUDING	PRICE()	RECOMM.(%) Lot.100	Dec. 25, 2006	
31	11109 112	LINK	1				
32	68013 369	SPRING	1				
33	68013 356	SPRING	1				
34	31056 126	GIB-HEADED PIN	1				
35	613L 0600	PLAIN WASHER	1				
36	733L 0600	SNAP PIN	1				
37	68013 375	SPRING	1				
38	71900 811	COVER ASS'Y	1				
39	470L 0514	(+)TAPPING SCREW	2				
40	71900 845	BOLT SET	1				
41	569L 0800	FLANGE NYLON NUT	4				
42	31057 256	HEXAGON BOLT	4				
43	583L 0800	FLANGE CAP NUT	6				
44	71900 846	BAR SET	1				
45	11012 132	HANGER BAND	2				
46	31057 181	HEXAGON BOLT	2				
47	68028 118	WIRE BAND	3				
48	91003 178	CONTROL CABLE	1				
49	91003 179	CONTROL CABLE	1				
50	91001 329	THROTTLE WIRE(GXV120/GXV160)	1				
51	91003 169	CONTROL CABLE(BBC)	1				
52	11062 178	FRAME C.P.	1				
53	36098 136	GRASS BAG C.P.(Black)	1				
54	41003 201	TUBE (15.6x800L)	1				
55	68028 119	WIRE BAND	2				
56	36080 156	RUBBER SHEET	1				
57							
58							
59							
60							